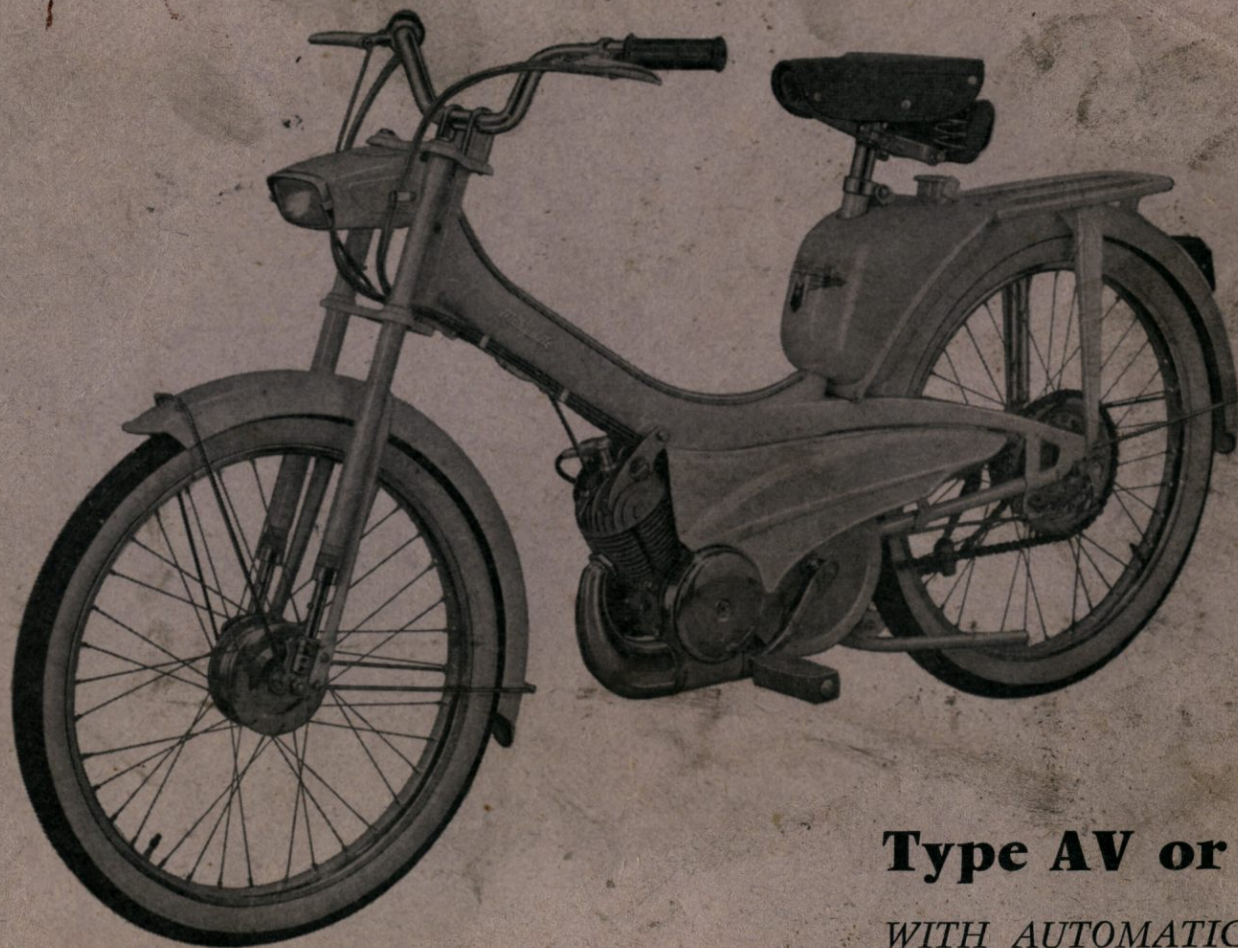


Mobylette

ENGLISH PUBLICATION



Type AV or AU 44

WITH AUTOMATIC CLUTCH

" DIMOBY "

Mobylette

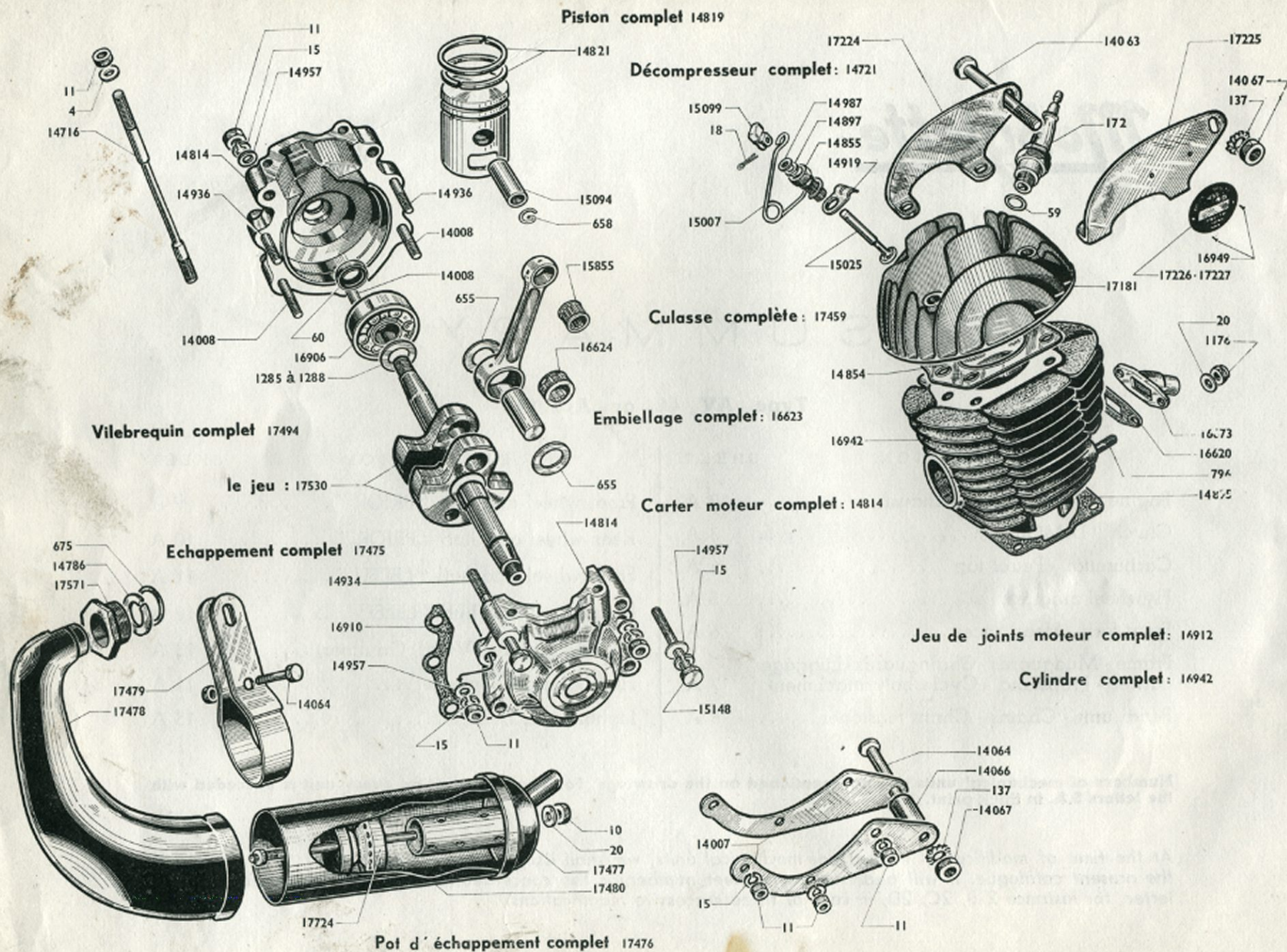
S U M M A R Y

Type AV 44 or AU 44

DESCRIPTION	SHEET	DESCRIPTION	SHEET
Engine - Attachment - Exhaust	2 A	Front wheel and hub " PRIOR "	9 A
Clutch " DIMOBY "	3 A	Rear wheel and hub " PRIOR "	10 A
Carburettor - Petrol tap	4 A	Front wheel and hub " LELEU "	11 A
Flywheel magneto	5 A	Rear wheel and hub " LELEU "	12 A
Front fork - Head races	6 A	Saddles (Reydel, Vidal, Gauthier)	13 A
Frame - Mudguards - Chainguards - Luggage-carrier - Propstand - Cycle bolt attachment.	7 A	Handlebars - Controls	14 A
Pedal unit - Chains - Chain tensioner	8 A	Lighting " LUXOR "	15 A

Numbers of mechanical units are not mentioned on the drawings. For your information every unit is preceded with the letters S.A. in thick print.

At the time of modification in parts or mechanical units, we shall issue a corresponding sheet to be slipped in the present catalogue. It will bear the same sheet number as the concerned part or unit but with a different letter, for instance 2 B, 2C, 2D, in case of three successive modifications.



Décompresseur complet = DECOMPRESSOR COMPLETE - Piston complet = PISTON COMPLETE - Vilebrequin complet = CRANKSHAFT COMPLETE
 Carter moteur complet = ENGINE CRANKCASE COMPLETE - Cylindre complet = CYLINDER COMPLETE - Culasse complète = CYLINDERHEAD
 COMPLETE - Jeu de joints moteur = SET OF ENGINE GASKETS.

MOBYLETTE Type AV 44 or AU 44

2 A

ENGINE UNIT - CONNECTING ROD - ENGINE ATTACHMENT - EXHAUST

Part N°	Quantity per machine	DESCRIPTION		Part N°	Quantity per machine	DESCRIPTION
4	4	Flat washer \varnothing 7 $\frac{m}{m}$(Cond.)		15025	1	Decompressor valve(Cond.)
10	2	Nut 6 $\frac{m}{m}$ \times 100(Cond.)		15094	1	Piston pin.....(Cond.)
11	6	Nut 7 $\frac{m}{m}$ \times 100(Cond.)		15099	1	Valve link(Cond.)
15	6	Grower washer \varnothing 7 $\frac{m}{m}$(Cond.)		15148	1	Screw 7/125 \times 45 $\frac{m}{m}$(Cond.)
18	1	Decompressor split pin.....(Cond.)		15855	1	Small end needle cartridge(Cond.)
20	2	Flat washer \varnothing 6 $\frac{m}{m}$(Cond.)		16620	1	Inlet pipe gasket.....(Cond.)
59	1	Sparkplug gasket(Cond.)		16623	S.A.	Connecting rod(Cond.)
60	2	Leakproof gasket(Cond.)		16624		Big end needle cartridge
137	1	Blocfor washer \varnothing 8 $\frac{m}{m}$(Cond.)		16673	1	Reinforced inlet pipe
172	2	Sparkplug 14 $\frac{m}{m}$ with gasket.....(Cond.)		16906		Ball bearing 16 \times 42 \times 13
655	2	Crankpin washer(Cond.)		16910	1	Crankcase gasket(Cond.)
658	2	Gudgeon pin circlips(Cond.)		16912	S.A.	Set of engine gaskets
796	2	Inlet pipe stud(Cond.)		16942	1	Cylinder with piston complete matched
1176	2	Nut 6 $\frac{m}{m}$ \times 100(Cond.)		16949	1	Grooved nail \varnothing 2,5 (n. mod.) for engine plate (Cond.)
1285		Crankshaft adjusting wedge \varnothing 18,9 \times 24 \times 1/10.....(Cond.)		16967	1	Cylinder aluminium wedge 2/10(Cond.)
1286		Crankshaft adjusting wedge \varnothing 18,9 \times 24 \times 2/10.....(Cond.)		16968	1	Cylinder aluminium wedge 4/10(Cond.)
1287		Crankshaft adjusting wedge \varnothing 18,9 \times 24 \times 3/10.....(Cond.)			1	Cylinderhead stripped.....(Cond.)
1288		Crankshaft adjusting wedge \varnothing 18,9 \times 24 \times 5/10.....(Cond.)		17224	1	Cylinderhead R.H. lug.....(Cond.)
14007	2	Engine lower bracket(Cond.)		17225	1	Cylinderhead L.H. lug.....(Cond.)
14008	3	Bolt 7 $\frac{m}{m}$ \times 100 \times 47 $\frac{m}{m}$(Cond.)		17226	1	MOTOBECANE serial plate
14063	1	Engine upper articulation bolt(Cond.)		17227	1	MOTOCONFORT serial plate
14064	1	Engine lower articulation bolt(Cond.)		17459	S.A.	Cylinderhead with decompressor fitted.....(Cond.)
14066	1	Lower axle distance piece(Cond.)		17494		Crankshaft complete \varnothing 16
14067	2	Swivel axle nut 8 \times 100 \times 14 $\frac{m}{m}$(Cond.)		17530		Set of crankshafts' weights (L.H. and R.H.) \varnothing 16 ..
14716	4	Stud holding cylinder and cylinderhead(Cond.)				EXHAUST
14721	S.A.	Decompressor complete		10	1	Nut 6 $\frac{m}{m}$ \times 100(Cond.)
14814	1	Crankcase with leakproof gasket		20	1	Flat washer \varnothing 6 $\frac{m}{m}$(Cond.)
14819	S.A.	Flat piston complete		675	1	Exhaust gasket(Cond.)
14821	2	Piston ring(Cond.)		14064	1	Clip bolt 8 \times 100 \times 72
14854	1	Cylinderhead gasket(Cond.)		14786	1	Nut thrust ring
14855	1	Decompressor body		17475		Blunderbuss exhaust complete
14895	1	Cylinder gasket(Cond.)		17476		Silencer (tail, body, baffling devices)
14897	1	Decompressor valve gasket(Cond.)		17477		Exhaust tail cover
14919	1	Anchoring lug		17478		Blunderbuss pipe
14934	1	Bolt 7 \times 100 \times 70 $\frac{m}{m}$		17479		Silencer clip
14936	2	Bolt 7 \times 100 \times 30 $\frac{m}{m}$		17480		Silencer body.....(Cond.)
14957	7	Flat washer \varnothing 7 $\frac{m}{m}$ for crankcase bolt(Cond.)		17571	1	Exhaust nut
14987	1	Washer for valve gasket(Cond.)		17724		Baffling devices
15007	1	Decompressor spring				

NOTE. - PISTON. The Mobylette piston is supplied complete. For any order, please state the letter stamped on the upper part of the cylinder.

CONNECTING ROD ASSEMBLY. Owing to the precision mounting of the connecting rod assembly, the connecting rod stripped is not retailed. Please order the connecting rod assembly N° 16.823.

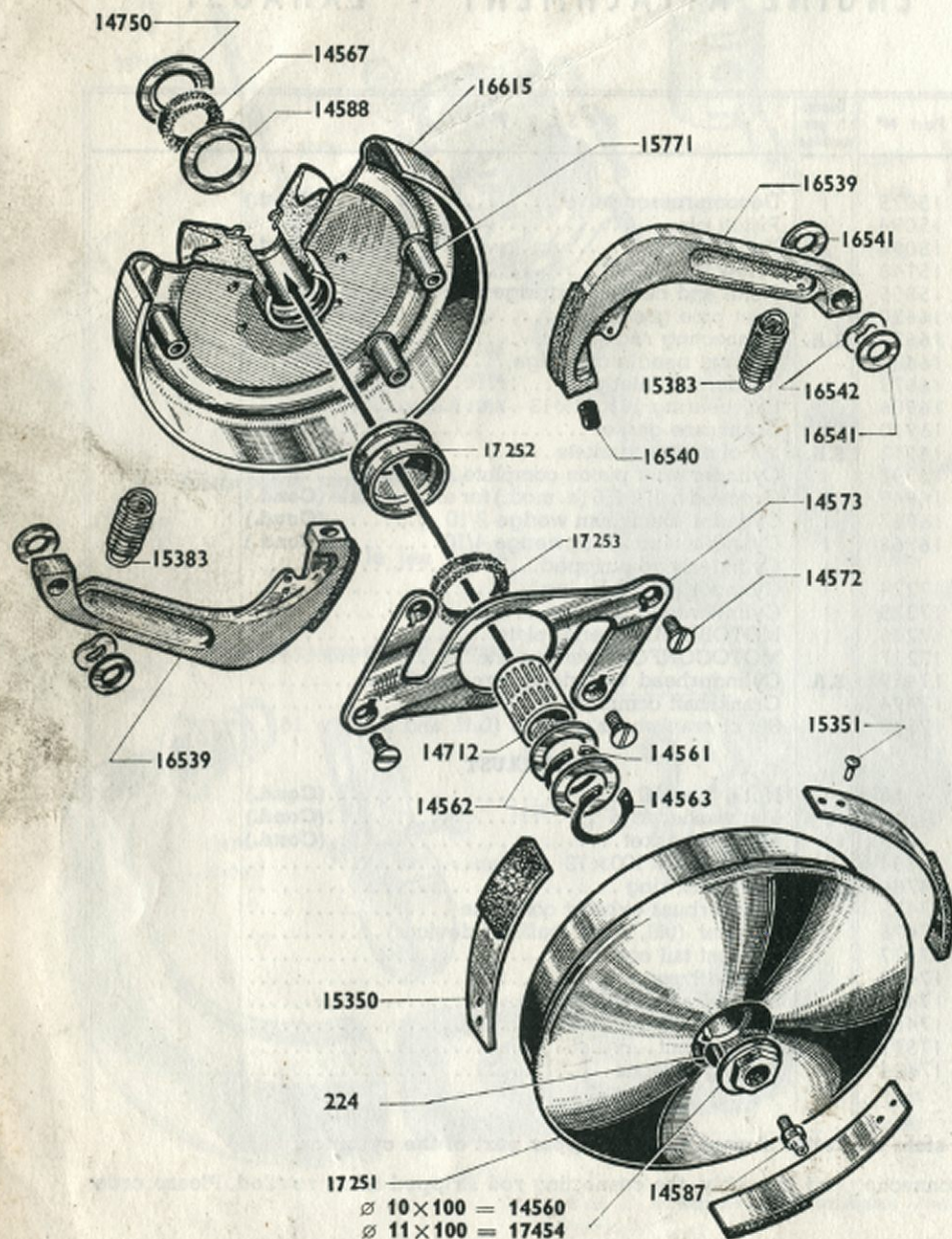
S.A. = Sub-assembly (not illustrated).

MOBYLETTE

Type AV 44 or AU 44

"DIMOBY" CLUTCH

(Reinforced hub)

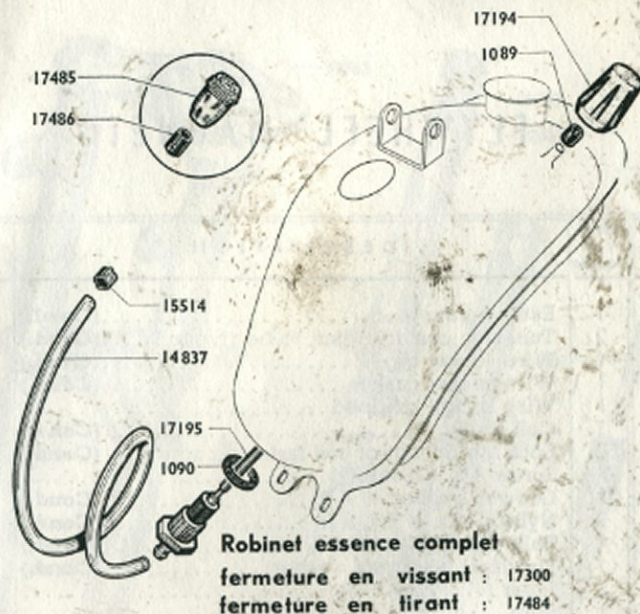


Part N°	Quantity per machine	DESCRIPTION
224	1	Drum woodruff key(Cond.)
14560	1	Drum lock nut 10×100
14561	1	Outer circlips \varnothing 15 $\frac{m}{m}$(Cond.)
14562	2	Clutch side washer(Cond.)
14563	1	Inner circlips \varnothing 22 $\frac{m}{m}$(Cond.)
14567	1	Clutch inner felt(Cond.)
14572	4	Clutch counter-flange screw 4×75×10.....(Cond.)
14573	1	Counter-flange
14587	1	Grease nipple(Cond.)
14588	1	Washer behind felt
14712	1	Needle cartridge 15×19 L = 22 $\frac{m}{m}$
14750	1	Clutch inner dust deflector 8/10
14931	1	Clutch thrust washer 10/100(Cond.)
14932	1	Clutch thrust washer 25/100(Cond.)
14933	1	Clutch thrust washer 40/100(Cond.)
15350	3	Spring with ferodo
15351	6	Spring rivet(Cond.)
15383	2	Clutch riser spring(Cond.)
15771	4	Small column to be rivetted, length under neck 15 $\frac{m}{m}$
16539	2	Clutch riser with lining
16540	2	Clutch riser stop(Cond.)
16541	4	Small column washer \varnothing 8×15×1(Cond.)
16542	2	Small column spring washer \varnothing 8 $\frac{m}{m}$
16615	1	Flange with hub, columns and pulley \varnothing 83 (for 14×7 belt)
17250	S.A.	Clutch complete (pulley for 14×7 belt)
17251	1	Drum with hub and springs
17252	1	Oil deflector
17253	1	Clutch outer felt(Cond.)
17454	1	Drum lock nut 11×100

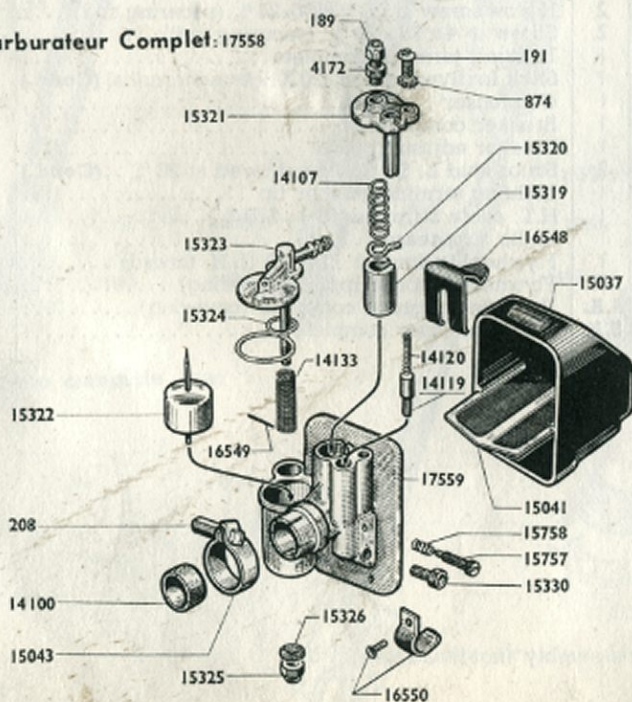
S.A. = Sub-assembly (not illustrated).

MOBYLETTE Type AV 44 or AU 44

PETROL TAP AND CARBURETTOR (adjustment 610)



Carburateur Complet: 17558



Reprinting forbidden

Part N°	Quantity per machine	DESCRIPTION
PETROL PIPE		
14837	1	Nylon petrol pipe
15497	1	Rubber petrol pipe "PERBUNA"
15514	2	Clip for nylon petrol pipe
PETROL TAP (Model to push)		
1090	1	Tap lower gasket
17484	S.A.	Petrol tap complete
17485	1	Tap knob
17486	1	Rubber gasket for tap rod
PETROL TAP (Model to screw)		
1089	1	Rubber gasket for tap rod
1090	1	Tap lower gasket
17194	1	Petrol tap button
17195	1	Tap rod
17300	S.A.	Petrol tap complete
CARBURETTOR (Model with clip)		
TYPE BA 10 (Adjustment 610)		
189	1	Chamber cap tension screw $\varnothing 6 \times 75$ (Cond.)
191	1	Screw secur. the chamb. cover $\varnothing 5 \times 90$ L=11 $\frac{11}{16}$ (Cond.)
208	1	Carburettor clip bolt $\varnothing 6 \times 100$, length 21 $\frac{11}{16}$ (Cond.)
874	1	Fan washer $\varnothing 5 \frac{11}{16}$ (Cond.)
4172	1	Lock nut for chamber cap tension screw .. (Cond.)
14100	1	Insulation ring
14107	1	Throttle spring
14119	1	Choke valve
14120	1	Choke valve spring
14133	1	Decanting bowl filter
15037	1	Bakelite cap for silencer
15041	1	Silencer wire mesh
15043	1	Carburettor clip
15319	1	Throttle valve
15320	1	Throttle guide
15321	1	Chamber cap
15322	1	Float
15323	1	Bowl cover
15324	1	Bowl cover gasket
15325	1	Lower blind nut securing the bowl cover .. (Cond.)
15326	1	Lower blind nut gasket
15330	1	Jet size 19
15331	1	Jet size 20
15332	1	Jet size 21 } According to adjustment
15757	1	Slow running adjuster
15758	1	Slow running adjuster spring
15996	1	Jet size 18 (according to adjustment)..... (Cond.)
16548	1	Upper spring plate holding the silencer.....
16549	1	Pin holding the upper spring
16550	1	Lower spring with rivet holding the silencer (Cond.)
16681	1	Jet size 17 (according to adjustment).....
17558	S.A.	Carburettor complete clip model BA 10
17559	1	Carburettor body

Robinet essence complet = PETROL TAP COMPLETE.

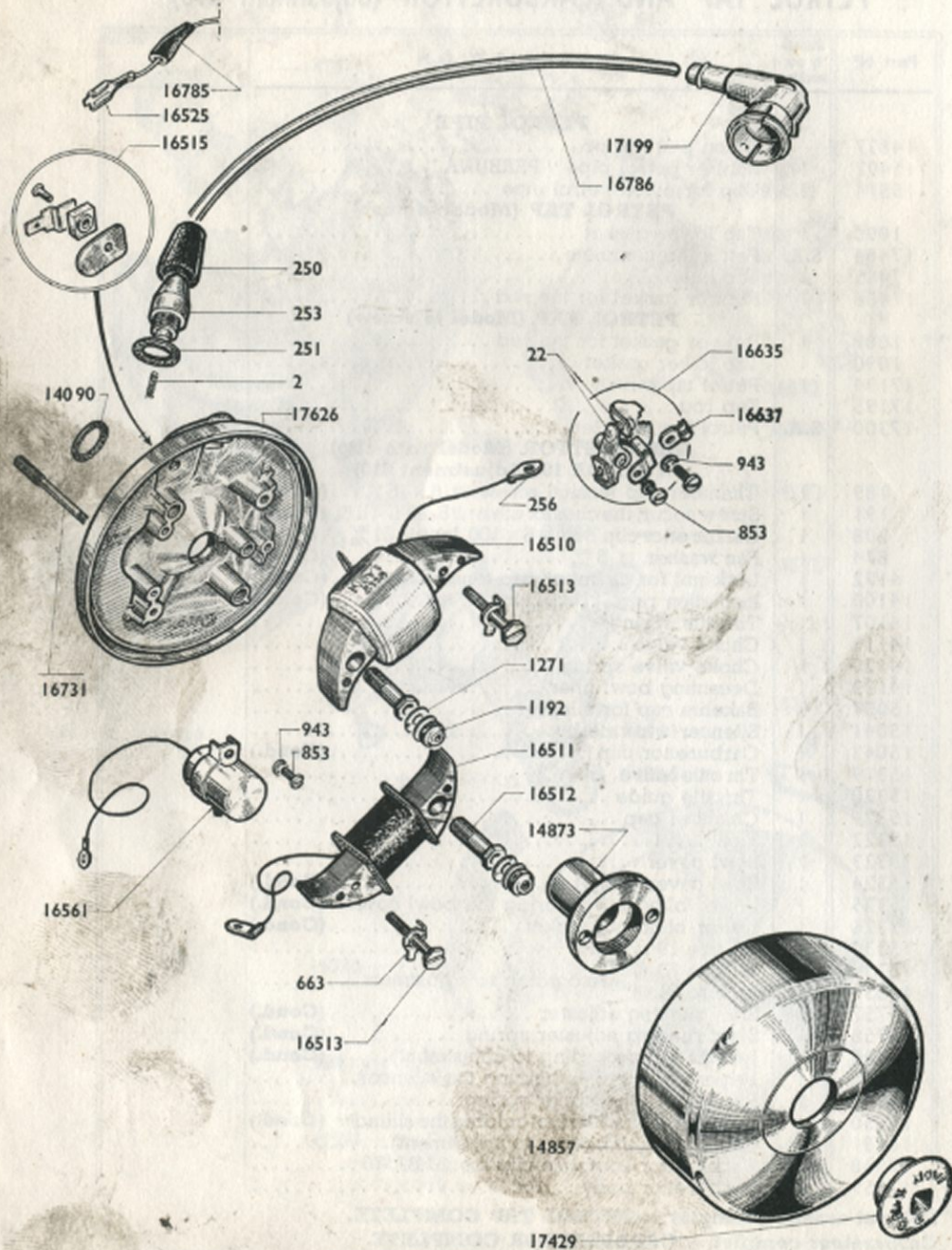
Carburateur complet = CARBURETTOR COMPLETE.

Reprinting forbidden

MOBYLETTE

Type AV 44 or AU 44

FLYWHEEL MAGNETO

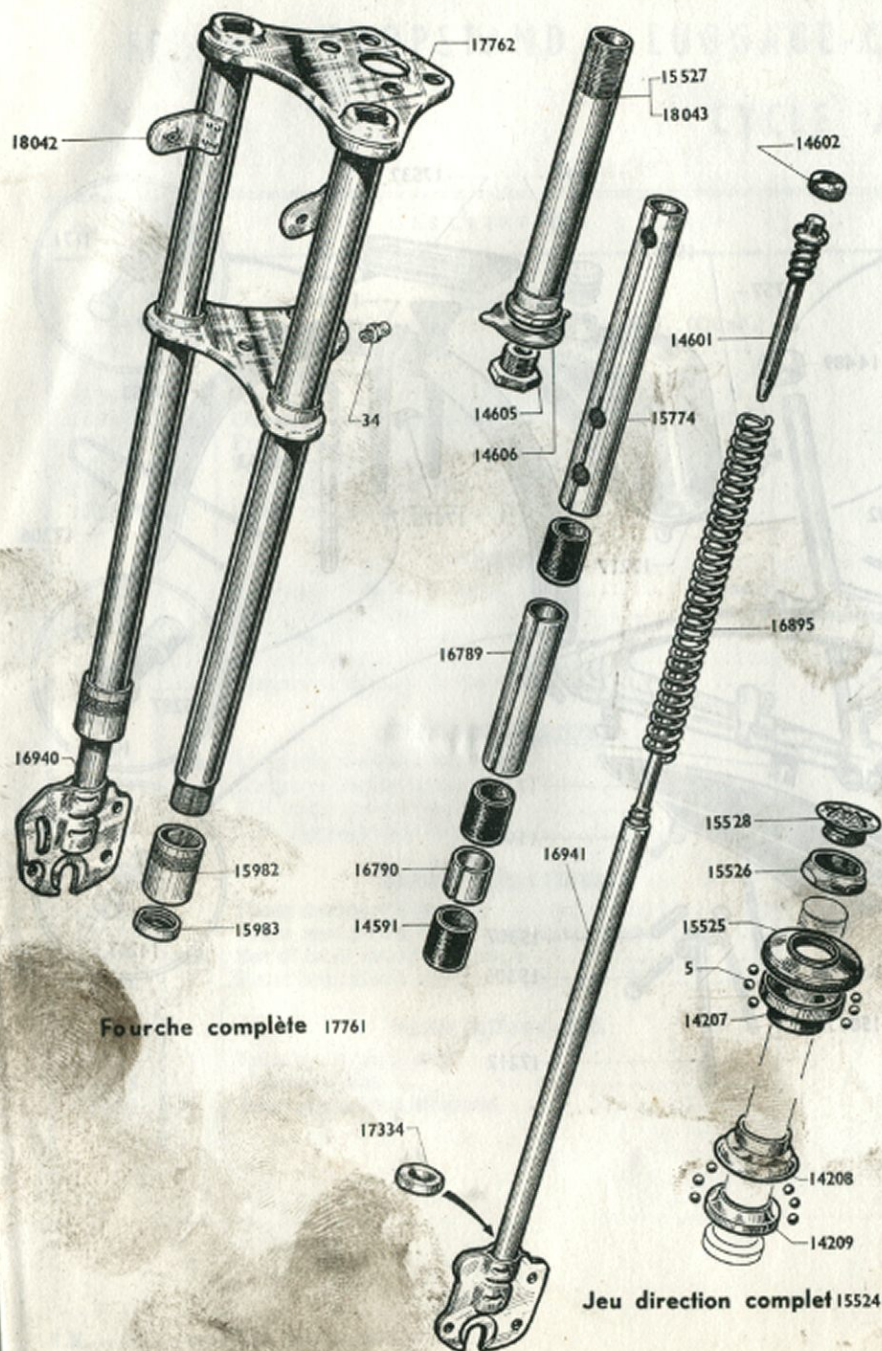


Part N°	Quantity per machine	DESCRIPTION
2	1	Earth spring (Cond.)
22	2	Tungsten contact point, to be rivetted (Cond.)
250	1	Wire socket cap (Cond.)
251	1	Wire socket gasket (Cond.)
253	1	Wire socket stripped.....
256	3	Coil shell (Cond.)
663	2	Lock tab for nut of coil fastening screw... (Cond.)
853	4	Screw $4\frac{m}{m} \times 75 \times 10\frac{m}{m}$
943	3	Grower washer $\varnothing 4\frac{m}{m}$ (Cond.)
1192	2	Nylstop nut $\varnothing 5\frac{m}{m} \times 75$ (Cond.)
1271	4	Belleville washer $\varnothing 5\frac{m}{m}$ (Cond.)
14090	1	Flywheel leakproof washer (Cond.)
14857	1	Rotor.....
14873	1	Cam.....
16510	1	Ignition coil.....
16511	1	Lighting coil.....
16512	2	Hollow screw $\varnothing 7.5\frac{m}{m} \times 100 \times 24\frac{m}{m}$ (securing coil)....
16513	2	Screw $\varnothing 4 \times 75 \times 23\frac{m}{m}$ (securing coil).....
16515	1	Lighting terminal complete.....
16525	1	Shell for flywh. magn. 120 X lighting terminal (Cond.)
16561	1	Condenser.....
16635	1	Breaker complete.....
16637	1	Breaker adjusting lever.....
16731	2	Stator stud L. $59\frac{m}{m}$ - shouldered at $22\frac{m}{m}$.. (Cond.)
16785	1	Lighting terminal rubber tip.....
16786	1	H.T. cable stripped (L = $270\frac{m}{m}$).....
17199	1	Radio suppressor.....
17429	1	Flywheel locknut $\varnothing 11 \times 100$ (L.H. thread).....
17626	1	Flywheel stator stripped (covering).....
18029	1	Flywheel magneto complete (covering).....
18030	1	Flywheel stator complete.....

S.A. = Sub-assembly (not illustrated).

MOBYLETTE Type AV 44 or AU 44

6 A



Fourche complète 17761

Jeu direction complet 15524

TELESCOPIC FORK - STEERING HEAD RACES

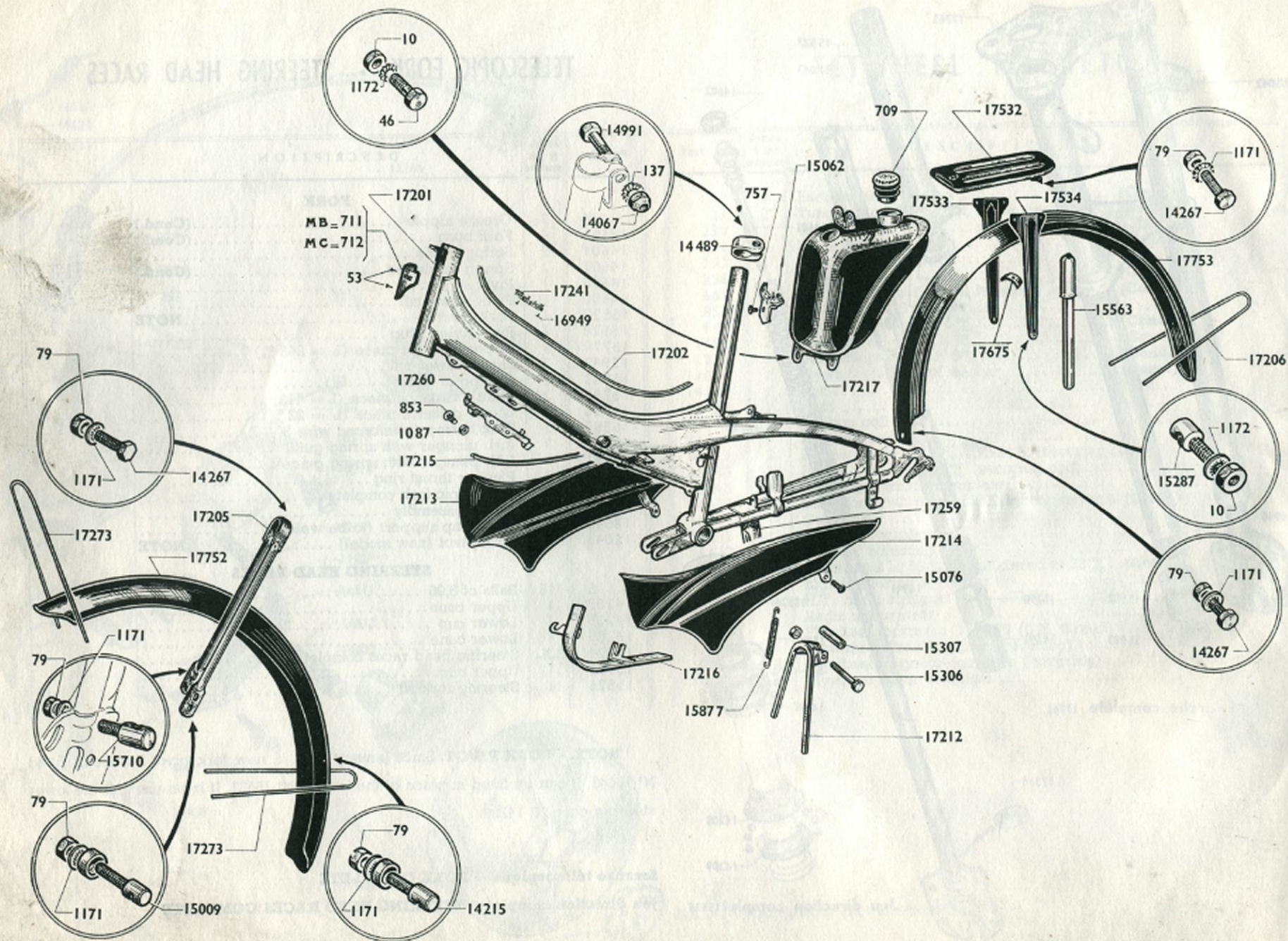
Part N°	Quantity per machine	DESCRIPTION
FORK		
34	2	Grease nipple (Cond.)
14591	6	Fork bush (Cond.)
14601	2	Spring guide.....
14602	2	Spring guide nut..... (Cond.)
14605	1	Pivot screw.....
14606	1	Pivot screw tab.....
15527	1	Fork pivot NOTE
15528	1	Pivot nylon plug.....
15774	1	Upper distance piece (L = 243 ^m / _m).....
15982	2	Sheath lower nut.....
15983	2	Leakproof gasket.....
16789	2	Middle distance piece (L = 113 ^m / _m).....
16790	2	Lower distance piece (L = 22 ^m / _m).....
16895	2	Fork spring (reinforced wire 30/10).....
16940	2	R.H. plunger with spring guide.....
16941	1	L.H. plunger with spring guide.....
17334	2	Plunger thrust ring.....
17761	S.A.	Telescopic fork complete.....
17762	1	Sheath assembly.....
18042	2	Headlamp support (to be welded).....
18043	1	Fork pivot (new model)..... NOTE
STEERING HEAD RACES		
5	48	Balls of 3,96 (Cond.)
14207	1	Upper cone.....
14208	1	Lower cup.....
14209	1	Lower cone.....
15524	S.A.	Steering head races complete.....
15525	1	Upper cup.....
15526	1	Steering locknut.....

NOTE. - FORK PIVOT. Since January 1963, a new fork pivot has been fitted N° 18043. It can be fitted in place of the former N° 15527. It is no use to fit the lower steering cone N° 14209.

fourche télescopique = **FORK COMPLETE**

jeu direction complet = **STEERING HEAD RACES COMPLETE**

MOBYLETTE Type AV 44 or AU 44



MOBYLETTE Type AV 44 or AU 44

7 A

FRAME - PROPSTAND - LUGGAGE-CARRIER - MUDGUARDS - PETROL TANK CYCLE ATTACHMENT

Part N°	Quantity per machine	DESCRIPTION	Part N°	Quantity per machine	DESCRIPTION
FRAME					
53	2	Grooved nail(Cond.)	15076	6	Chainguard screw (head with washer set in)(Cond.)
711	1	M.B. name plate	17213	1	Chainguard, R.H. side
712	1	M.C. name plate	17214	1	Chainguard, L.H. side
15563	1	Air inflator L = 250	17215	2	Chainguard beading L = 500 ^m / _m
16949	2	Grooved nail ø 2,5(secur.Mobylette badge) (Cond.)	17216	1	Pulley guard.....
18201	1	Frame			
17202	1	Frame plastic bead.....			
17241	2	"MOBYLETTE" badge on frame.....	709	1	Tank plastic plug
17260	1	Outer casing bridge attachment	757	1	Tank badge screw(Cond.)
PROPSTAND					
15306	1	Propstand bolt with nut.....(Cond.)	14489	1	Tank and saddle securing clip
15307	1	Bolt distance piece.....(Cond.)	14991	1	Tank clip bolt 8×108×46.....(Cond.)
15877	1	Propstand	15062	1	"MOBYLETTE" Tank badge
17212	1	Propstand support	17217	1	Petrol tank, capacity 3 l. 500
17259	1	Propstand spring (to be welded)			
LUGGAGE-CARRIER					
17531	S.A.	Luggage-carrier complete	10	4	Nut 6×100.....(Cond.)
17532	1	Luggage-carrier plate	46	2	Lower attachment bolt 6×100×13.....(Cond.)
17533	1	R.H. luggage-carrier stay	79	19	Nut 5×90.....(Cond.)
17534	1	L.H. luggage-carrier stay	137	1	Blocfor washer ø 8 ^m / _m
			853	2	Screw securing outer casing attachment bridge ø 4×75×10
FRONT MUDGUARD					
17205	1	Front mudguard bridge	1087	2	Nut ø 4×75.....(Cond.)
17273	2	Front mudguard upper and lower stays	1171	19	NOMEL washer ø 5 ^m / _m(Cond.)
17470	S.A.	Set of front mudguard stays	1172	4	NOMEL washer ø 6 ^m / _m(Cond.)
17752	1	Front mudguard stripped.....	14067	1	Nut 8×100.....(Cond.)
			14215	10	Mudguard stay adjuster bolt 5×90 - Total length 20 ^m / _m(Cond.)
REAR MUDGUARD					
17206	1	Rear mudguard stay.....	14219	1	Bolt 5×90×15.....(Cond.)
17675		Counter plate	14267	4	Bolt 5×90×10.....(Cond.)
17753		Rear mudguard stripped	14268	4	Bolt 5×90×17.....(Cond.)
			14991	1	Tank clip bolt 8×100×46.....(Cond.)
			15009	2	Stay adjuster bolt 5×90 - Total length 22 ^m / _m(Cond.)
			15287	2	Stay adjuster bolt 6×100 - Total length 35 ^m / _m(Cond.)
			15710	1	Adjuster bolt holding front brake anchorage (Cond.)
CYCLE ATTACHMENT					

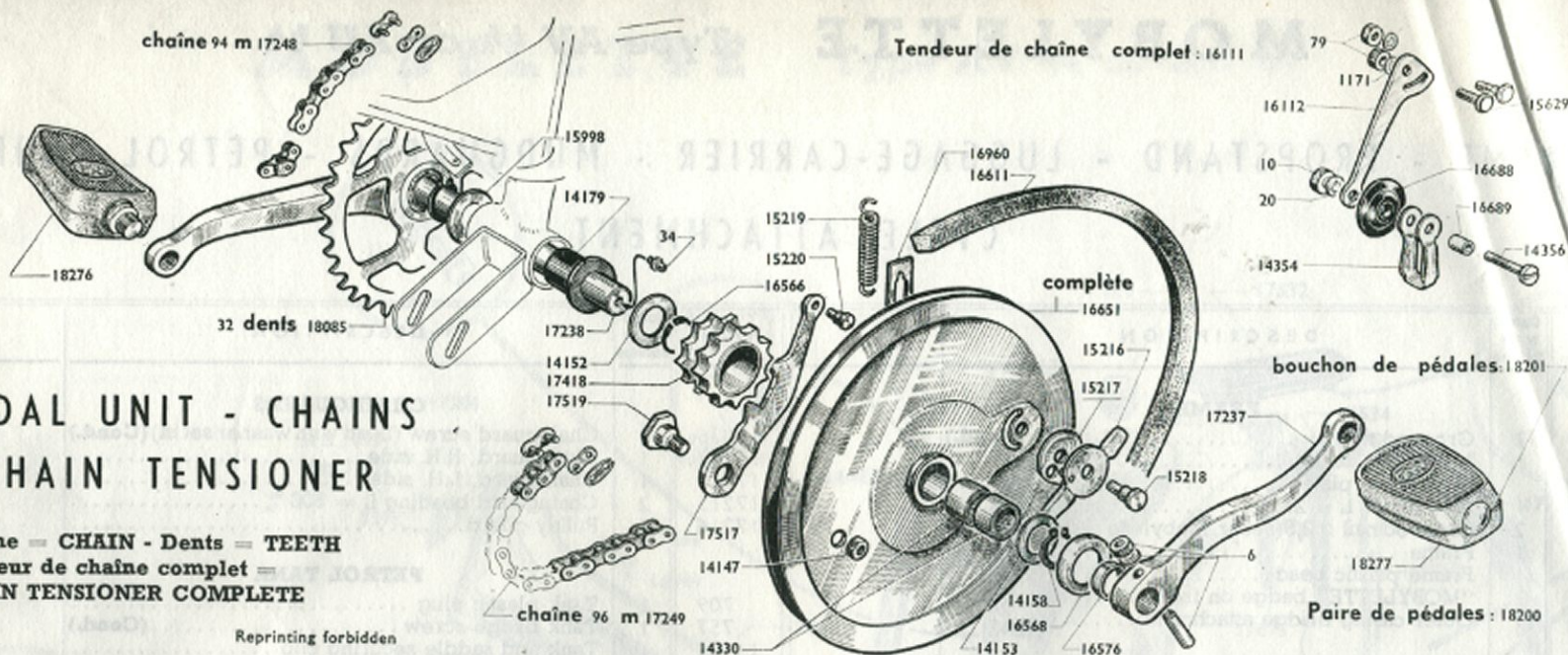
S.A. - Sub-assembly (not illustrated).

Reprinting forbidden

PEDAL UNIT - CHAINS CHAIN TENSIONER

Chaîne = CHAIN - Dents = TEETH
Tendeur de chaîne complet =
CHAIN TENSIONER COMPLETE

Reprinting forbidden



Part N°	Quantity per machine	DESCRIPTION	Part N°	Quantity per machine	DESCRIPTION
6	2	Bracket cotter pin (Cond.)	18200	S.A.	Pair of pedals
34	1	Bracket grease nipple (Cond.)	18201	2	Pedal cap NOTE 2
14147	1	Lever screw nut	18276	1	R.H. pedal
14152	1	Bracket thrust washer 16,5×33×8/10 (Cond.)	18277	1	L.H. pedal
14153	1	Bracket thrust washer 16,5×27×20/10 (Cond.)			CHAIN TENSIONER (Type with Rilsan roller)
14158	2	Bracket circlips (Cond.)	13	2	Grower washer \varnothing 5 ^{mm} (Cond.)
14179	2	Bracket bush	20	1	Flat washer \varnothing 6 ^{mm} (Cond.)
14330	2	Needle cartridge width 12 ^{mm}	79	2	Nut for tensioner bolt (Cond.)
14833	1	Bracket bush oversized (Cond.)	14354	1	Tensioner roller bridge
15216	1	Lock button	14356	1	Chain tensioner axle with nut
15217	1	Button friction washer	15629	2	Tensioner securing bolt
15218	1	Button axle	16111	S.A.	Chain tensioner complete
15219	1	Lock lever spring (Cond.)	16112	1	Tensioner arm
15220	1	Lever spring axle	16688	1	Tensioner roller
15998	1	Bracket thrust washer 16,5×26×10/10 (Cond.)	16689	1	Roller distance piece \varnothing 8 L = 10,5 ^{mm}
16566	1	Bracket circlips (Cond.)			CHAINS (NOTE 1)
16568	1	Bracket oil deflector (Cond.)	14364	1	Cranked link for transmission chain, brand SEDIS
16576	1	L.H. crank arm distance piece (8 ^{mm} thick) (Cond.)	14365	1	Cranked link for pedal chain SEDIS
16611	1	Belt 14×7	14367	1	Spring link for transmission chain, brand SEDIS
16651	S.A.	S.A. including pulley, sprocket, needle cartridge	14368	1	Spring link for pedal chain SEDIS
16960	1	Pulley spring limiter	14565	1	Cranked link for transmis. chain, brand BRAMPTON
17237	1	L.H. (crank) arm bent	14875	1	Spring link for transmis. chain, brand BRAMPTON
17238	1	Bracket axle L : 185,5	17248	1	Pedal chain 94 links
17418	1	Reversible sprocket 12 teeth inner \varnothing 29 ^{mm}	17249	1	Engine chain 98 links
17517	1	Lock lever stripped	17590	1	Cranked link for pedal chain BRAMPTON
17518	S.A.	Lock lever complete	17591	1	Spring link for pedal chain BRAMPTON
17519	1	Lock lever axle with nut	17692	1	Spring link for pedal chain IRIS
18085	1	R.H. crank arm with 32 teeth sprocket set-in	17695	1	Spring link for engine chain IRIS

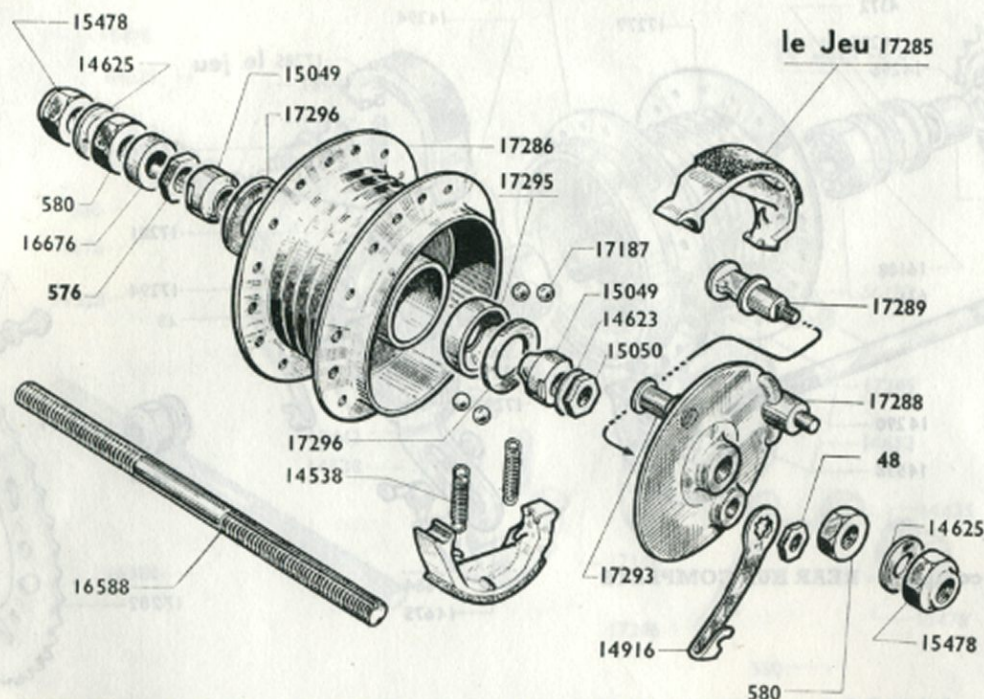
NOTE 1 - CHAINS. Three brands of chains are mounted on the Mobylettes, according to our supplies, the number of links is to be mentioned only. However, regarding spring links and cranked links, you are requested to precise the brand, either Sedis, or Brampton, or Iris.

NOTE 2 - PEDAL CAPS. Many types of pedals cap equip this machine. When ordering pedal caps, please refer to Technical Documentation sheet N° 251.

Reprinting forbidden

MOBYLETTE Type AV 44 or AU 44

moyeu AV complet 17284

 Moyeu AV complet -
FRONT HUB COMPLETE


Reprinting forbidden

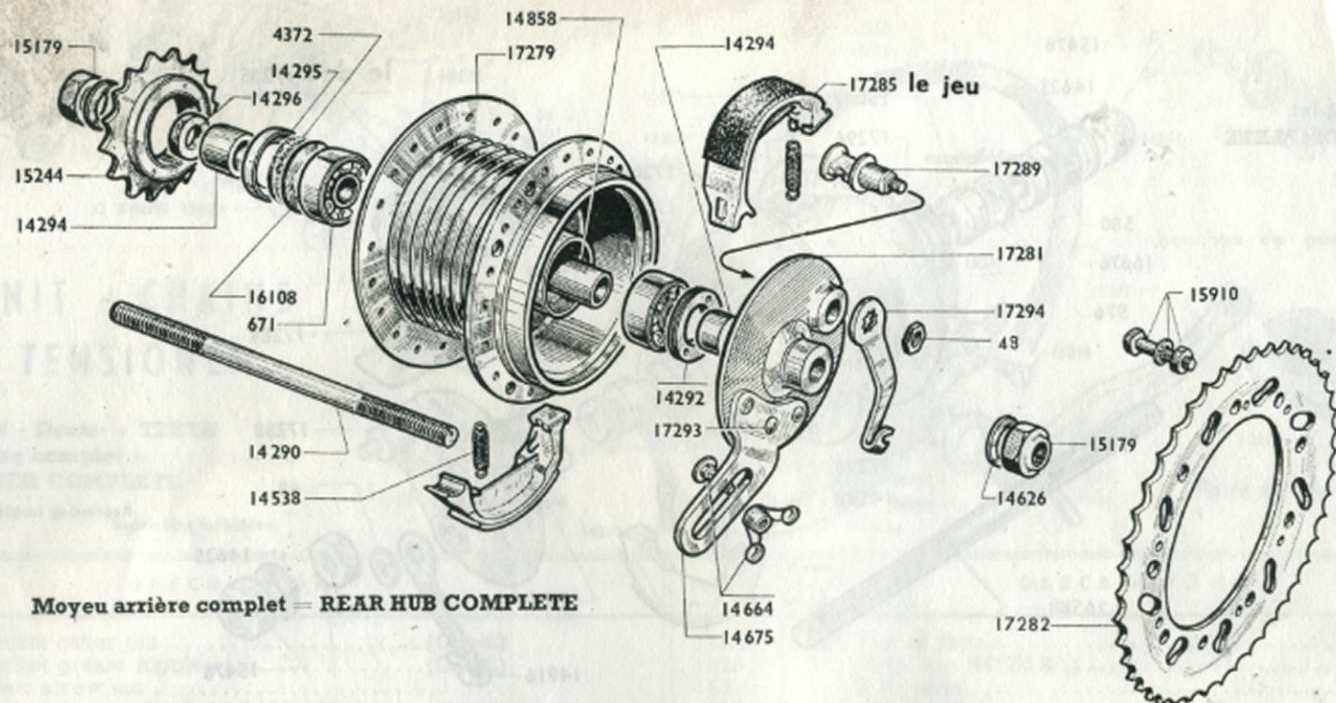
FRONT WHEEL and HUB "PRIOR" MONOBLOC Ø 80

Part N°	Quantity per machine	DESCRIPTION	Part N°	Quantity per machine	DESCRIPTION
WHEEL					
14989	36	Spoke nipple, French gauge 16 (Cond.)	15049	2	Fixed or adjustable cone
15535	1	Rim 23" x 2"	15050	2	Cone counter-nut
15536	1	Hutchinson white wall tyre 23" x 2"	15478	2	Wheel nut
15537	1	Hutchinson inner tube 23" x 2"	16587	S.A.	Front hub axle complete
15538	1	Rim tape	16588	1	Front hub axle stripped
17239	36	Spoke 15 x 15 x 16 - Length 200 (Cond.)	16676	1	Distance piece Ø 11 x 14, 6,5 ³ / ₁₆ thick (Cowel) ...
17283	S.A.	Front wheel complete	17187	22	Ball Ø 5,55
HUB					
48	1	Jaw cam nut	17284	S.A.	Front hub complete
576	2	Counter-nut	17285	S.A.	Set of jaws Ø 80
580	1	Hub nut	17286	1	Front hub body stripped
14538	2	Jaw spring	17287	S.A.	Jaw flange complete
14623	2	Snug washer	17288	1	Jaw flange stripped
14625	2	Flat washer Ø 11 ³ / ₁₆	17289	1	Front brake cam
14916	1	Front brake came lever	17293	1	Fixed point (to be rivetted)
			17285	2	Cup Ø 29,8
			17296	2	Oil deflector Ø 18,5 - Ø 29,8

Reprinting forbidden

MOBYLETTE Type AV 44 or AU 44

moyeu arrière complet 17277



REAR WHEEL AND HUB "PRIOR" MONOBLOC Ø 80

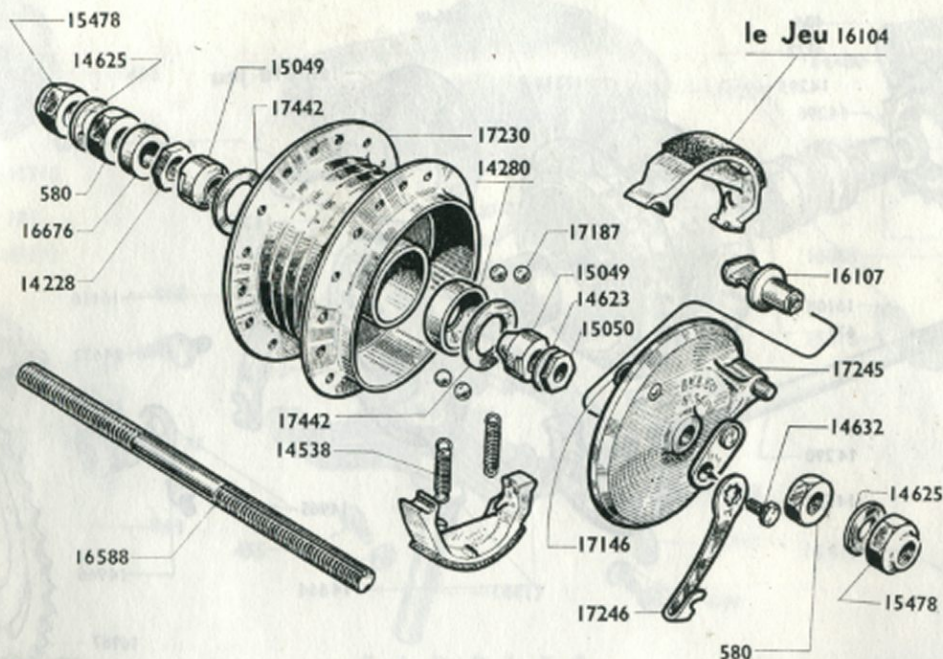
Part N°	Quantity per machine	DESCRIPTION	Part N°	Quantity per machine	DESCRIPTION
WHEEL					
14989	36	Spoke nipple, French gauge 16 (Cond.)	14664	1	Flange securing screw with wing nut (Cond.)
15535	1	Rim 23" x 2"	14675	1	Rear brake anchoring lug
15536	1	Hutchinson white wall tyre 23" x 2"	14858	1	Ball bearing distance piece L = 48,2
15537	1	Hutchinson inner tube 23" x 2"	14965	2	Wheel tensioner with nut (Cond.)
15538	1	Rim Tape	14966	2	Tensioner nut
17239	36	Spoke 15 x 15 x 16 L = 200 (Cond.)	15179	2	Rear wheel nut Ø 10 ^m / _m (Cond.)
17276	S.A.	Rear wheel complete with sprocket 44 teeth	15244	1	Freewheel 18 teeth 34,7 x 100
HUB					
671	2	Ball bearing 10 x 30 x 9 (Cond.)	15763	1	Cam nut 8 x 100
4372	1	Felt	15910	6	Square head bolt securing rear sprocket 6 x 100 x 14 ^m / _m
14290	1	Rear hub axle stripped Ø 10 ^m / _m	17277	S.A.	Rear hub complete with sprocket 44 teeth
14292	1	Ball bearing lock nut	17278	S.A.	Rear hub body complete
14294	1	Hub distance piece, R.H. side Ø 10 ^m / _m , 11 ^m / _m thick	17279	1	Rear hub body stripped
14295	1	Dust deflector Ø 30 ^m / _m	17280	S.A.	Jaw flange complete Ø 80
14296	2	Hub nut	17281	1	Jaw flange stripped Ø 80
14538	2	Jaw spring (Cond.)	17282	1	Sprocket 44 teeth Ø 94 ^m / _m
14626	1	Hub flat washer	17285	S.A.	Set of jaws Ø 80
			17289	1	Rear brake cam
			17293	1	Fixed point (to be rivetted)
			17294	1	Rear brake lever

MOBYLETTE Type AV 44 or AU 44

II A

moyeu AV complet 17229

moyeu AV complet =
FRONT HUB COMPLETE



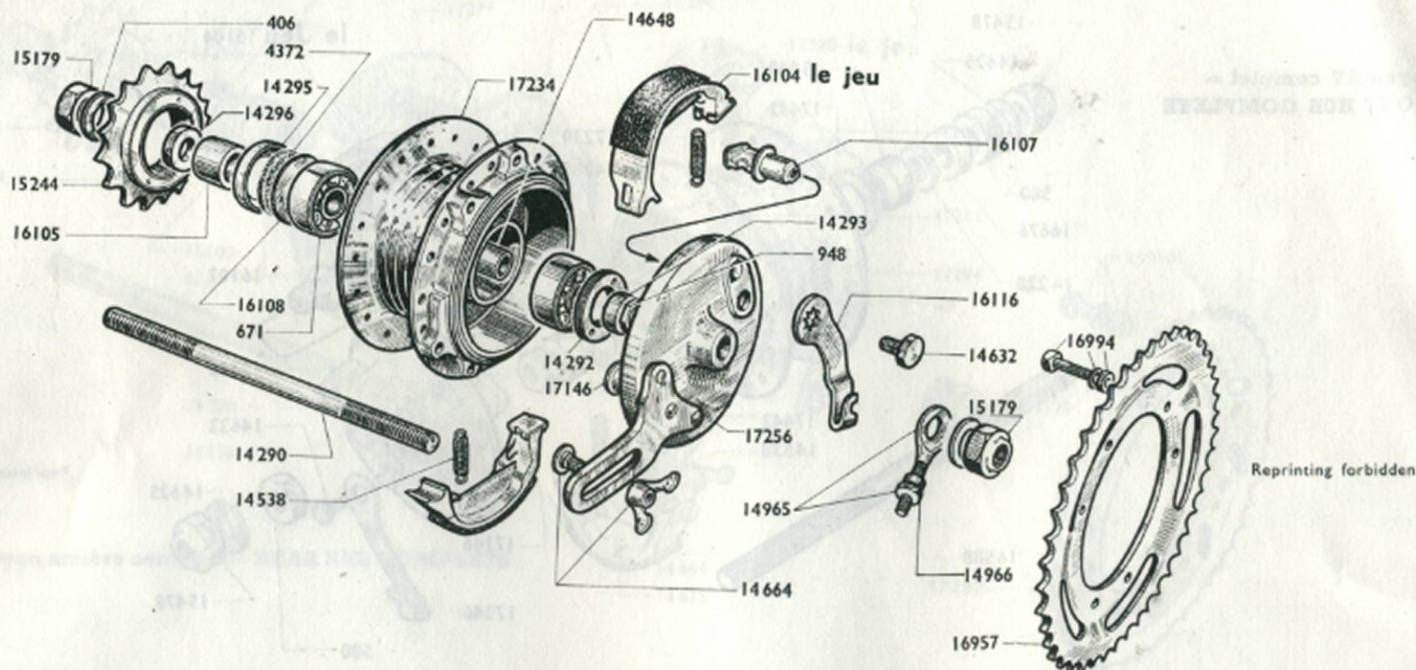
FRONT WHEEL AND HUB "LELEU" MONOBLOC

Part N°	Quantity per machine	DESCRIPTION	Part N°	Quantity per machine	DESCRIPTION
WHEEL					
14989	36	Spoke nipple, french gauge 16(Cond.)	14632	1	Cam lever securing screw.....
15535	1	Rim 23" x 2"	15049	2	Front wheel fixed or ajustable cone
15536	1	Hutchinson white wall tyre 23" x 2"	15050	1	Cone counter-nut.....
15537	1	Hutchinson inner tube 23" x 2"	15478	2	Wheel nut
15538	1	Rim tape	16104	1	Pair jaws ø 80.....
17228	S.A.	Front wheel complete	16107	1	Brake cam
17239	36	Spoke 15x15x16 length 200 $\frac{m}{m}$	16588	1	Front hub axle stripped
HUB					
580	1	Hub nut	16676	1	Distance piece ø11x14, 6,5 $\frac{m}{m}$ thick (or 11x16, 6,5 thick).....
14228	2	Counter-nut.....	17146	6	Front brake fixed point (to be rivetted)
14280	2	Hub cup ø 29 $\frac{m}{m}$	17187	20	Hub ball 5,55
14538	2	Jaw spring	17229	S.A.	Front hub complete
14623	1	Snug washer	17230	1	Front hub body stripped
14625	2	Washer ø 11 $\frac{m}{m}$	17244	S.A.	Jaw flange complete
			17245	1	Jaw flange stripped
			16246	1	Front brake cam lever.....
			16442	2	Washer ø 29,15

Reprinting forbidden

MOBYLETTE Type AV 44 or AU 44

moyeu arrière complet 17232



REAR WHEEL and HUB "LELEU" MONOBLOC $\varnothing 80 \frac{m}{m}$

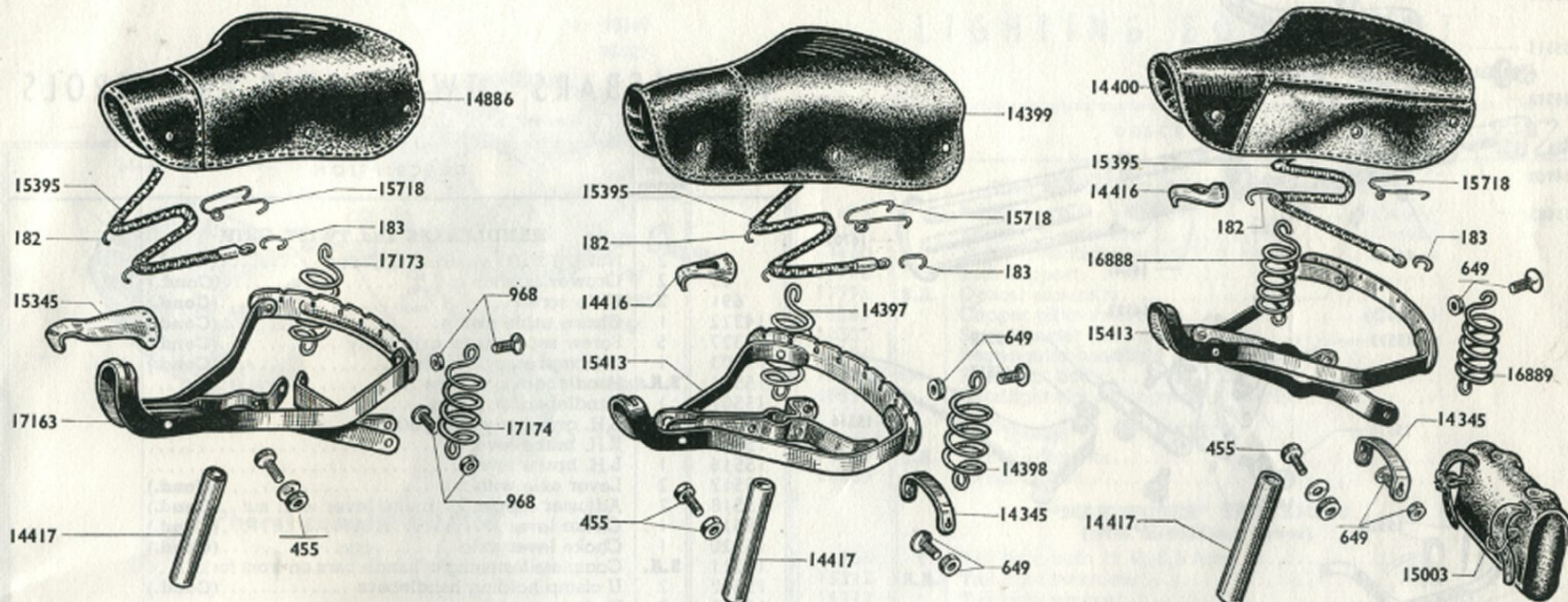
Part N°	Quantity per machine	DESCRIPTION	Part N°	Quantity per machine	DESCRIPTION
WHEEL					
14989	36	Spoke nipple, French gauge 16 (Cond.)	14632	1	Cam lever securing screw
15535	1	Rim 23" x 2"	14648	1	Ball bearing distance pièce L = 53 $\frac{m}{m}$
15536	1	Hutchinson white wall tyre 23" x 2"	14664	1	Flange securing screw with wing nut. (Cond.)
15537	1	Hutchinson inner tube 23" x 2"	14965	1	Wheel tensioner
15538	1	Rim tape	14966	1	Tensioner nut
17231	S.A.	Rear wheel complete with sprocket 44 teeth	15179	2	Rear wheel nut $\varnothing 10$
17239	36	Spoke 15 x 15 x 16, Length = 200	15244	1	Free wheel 18 teeth 34,7 x 100
HUB					
406	1	Flat washer	16104	1	Pair of jaws $\varnothing 80$
671	2	Ball bearing 10 x 30 x 9	16105	1	Hub distance piece $\varnothing 10 \times 16$ L = 13.5
948	1	Hub nut (thick 5 $\frac{m}{m}$)	16107	1	Rear brake cam
4372	1	Felt	16108	1	Felt washer
14290	1	Rear hub axle stripped $\varnothing 10 \frac{m}{m}$	16116	1	Rear cam lever
14292	1	Ball bearing lock nut	16957	1	Sprocket 44 teeth
14293	1	Distance piece $\varnothing 10 \times 16 \times 6$	16994	6	Rear sprocket securing bolt (6 x 100 x 20) .. (Cond.)
14295	1	Dust deflector $\varnothing 30 \frac{m}{m}$	17146	1	Fixed point (to be rivetted)
14296	1	Hub nut	17232	S.A.	Rear hub complete with sprocket 44 teeth
14538	2	Jaw spring	17233	S.A.	Rear hub body complete (without sprocket)
			17234	1	Rear hub body stripped
			17255	S.A.	Rear brake flange complete
			17255	1	Rear brake flange stripped

MOBYLETTE Type AV 44 or AU 44

Selle complète Gauthier 17154

Selle complète Vidal 14084

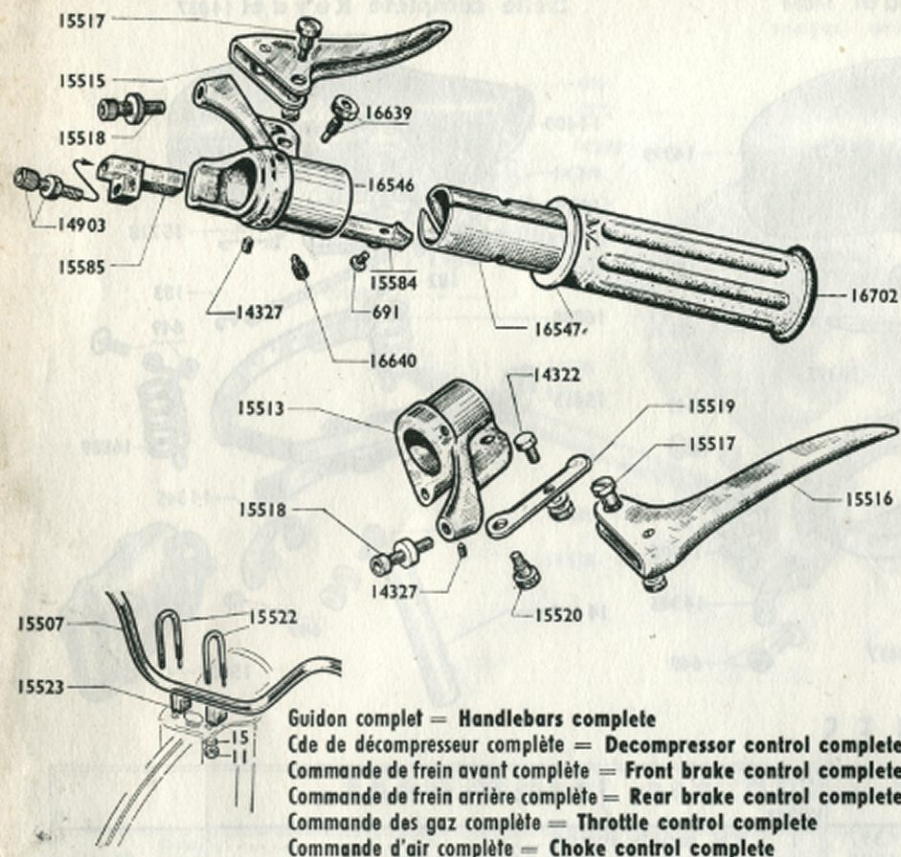
Selle complète Reydel 14887



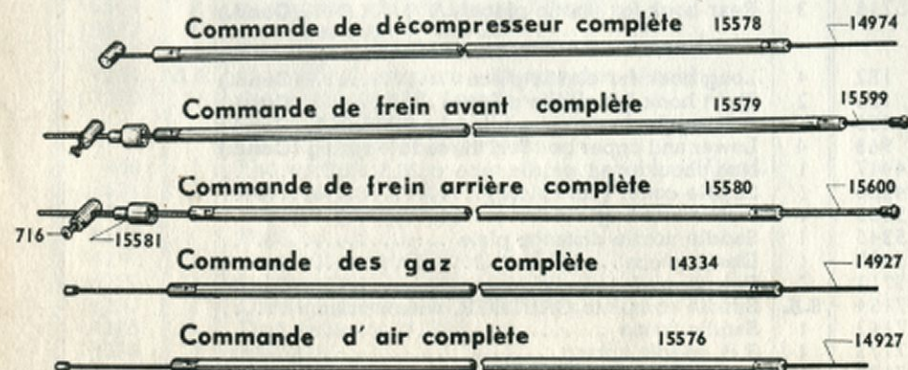
Selle complete = SADDLE COMPLETE

SADDLES

Part N°	Quantity per machine	DESCRIPTION	Part N°	Quantity per machine	DESCRIPTION
REYDEL SADDLE					
182	4	Long hook for elastic piece(Cond.)	14397	1	R.H. saddle spring
183	2	Short hook for elastic piece(Cond.)	14398	1	L.H. saddle spring
455	1	Bolt sec. the frame on saddle tube 8x125x25 ³ / ₁₆(Cond.)	14399	1	Saddle cover (tan).....
649	4	Lower and upper bolt sec. the saddle spring (Cond.)	14416	1	Saddle nozzle distance plate
14345	1	Flat distance plate for saddle frame L = 80 ³ / ₁₆	14417	1	Non shouldered saddle tube ø 25,5.....
14400	1	Tan saddle cover	15395	1	Elastic piece
14416	1	Saddle nozzle distance plate	15413	1	Clampless saddle frame
14417	1	Non shouldered saddle tube ø 25,5.....	15718	3	Rear hook for elastic piece(Cond.)
14887	S.A.	Saddle complete REYDEL (tan cover)	GAUTHIER SADDLE		
15395	1	Elastic piece	182	4	Long hook for elastic piece(Cond.)
15413	1	Clampless saddle frame	183	2	Short hook for elastic piece(Cond.)
15718	3	Rear hook for elastic piece.....(Cond.)	455	1	Bolt sec. the frame on saddle tube 8x125x25 ³ / ₁₆(Cond.)
16888	1	R.H. saddle spring	968	4	Lower and upper bolt sec. the saddle spring (Cond.)
16889	1	L.H. saddle spring	14417	1	Non shouldered saddle tube ø 25,5.....
VIDAL SADDLE					
182	4	Long hook for elastic piece(Cond.)	14886	1	Saddle cover (tan colour)
183	2	Short hook for elastic piece(Cond.)	15003	1	Plastic tool bag.....
455	1	Bolt sec. the frame on saddle tube 8x125x25 ³ / ₁₆(Cond.)	15345	1	Saddle nozzle distance plate
649	4	Lower and upper bolt sec. the saddle spring (Cond.)	15395	1	Elastic piece
14084	S.A.	Saddle complete VIDAL, without clamp (tan cover) .	15718	3	Rear hook for elastic piece(Cond.)
14345	1	Flat distance plate for saddle frame L = 80 ³ / ₁₆	17154	S.A.	Saddle complete GAUTHIER, without clamp
SADDLE FRAME					
17163	1	Saddle frame	17163	1	R.H. saddle spring
17173	1	R.H. saddle spring	17173	1	L.H. saddle spring.....
17174	1	L.H. saddle spring.....			



Guidon complet 15506



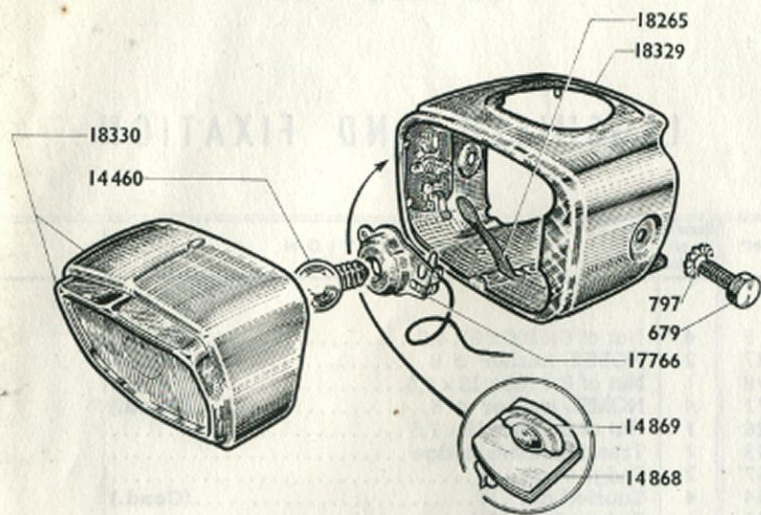
Reprinting forbidden

HANDLEBARS - TWIST GRIP - CONTROLS

Parts N°	Quantity per machine	DESCRIPTION
HANDLEBARS and TWIST GRIP		
11	2	Nut $\varnothing 7 \times 100$ securing U Clamp (Cond.)
15	2	Grower washer $\varnothing 7 \frac{3}{4}$ (Cond.)
691	2	Slide screw (Cond.)
14322	1	Choke cable clamp (Cond.)
14327	5	Screw set for twist grip body (Cond.)
14903	1	Decompressor adjuster (Cond.)
15506	S.A.	Handlebars complete
15507	1	Handlebars stripped
15513	1	L.H. grip body stripped
15515	1	R.H. brake lever
15516	1	L.H. brake lever
15517	2	Lever axle with nut (Cond.)
15518	2	Adjuster nipple for brake lever with nut (Cond.)
15519	1	Choke lever (Cond.)
15520	1	Choke lever axle (Cond.)
15521	S.A.	Complete fastening of handlebars on front fork
15522	2	U clamp holding handlebars (Cond.)
15523	2	U clamp wedge
15584	1	Throttle slide (Cond.)
15585	1	Decompressor slide (Cond.)
15712	S.A.	Choke lever complete (Cond.)
15991	S.A.	L.H. grip body complete with levers (choke, brake)
16546	1	Twist grip body
16547	1	Twist grip sleeve
16639	1	Securing screw with nut $\varnothing 5 \times 90 L = 12,5 \frac{3}{4}$ (Cond.)
16640	1	Twist grip set screw $\varnothing 6 \times 100 L = 11 \frac{3}{4}$ (Cond.)
16702	1	Grey rubber grip
16703	S.A.	Twist grip complete
CONTROLS		
716	2	Front and rear brake cable clamp (Cond.)
14334	1	Throttle control complete
14762	3	Cable outer casing
14927	1	Throttle cable (Cond.)
14927	1	Choke cable (Cond.)
14974	1	Decompressor cable (Cond.)
15576	1	Choke control complete
15578	1	Decompressor control complete
15579	1	Front brake control complete
15580	1	Rear brake control complete
15581	2	Outer casing (Cond.)
15599	1	Front brake cable (Cond.)
15600	1	Rear brake cable (Cond.)
16944	1	Decompressor cable outer casing stop ... (Cond.)

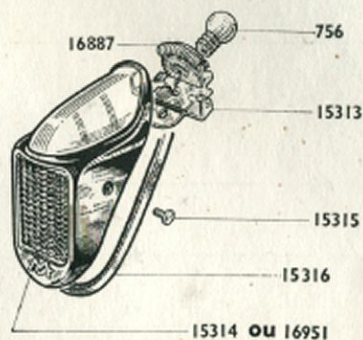
Reprinting forbidden

LIGHTING EQUIPMENT



Phare complet LUXOR
18328

Eclairage arrière MANDUCHER
15312 ou 16950



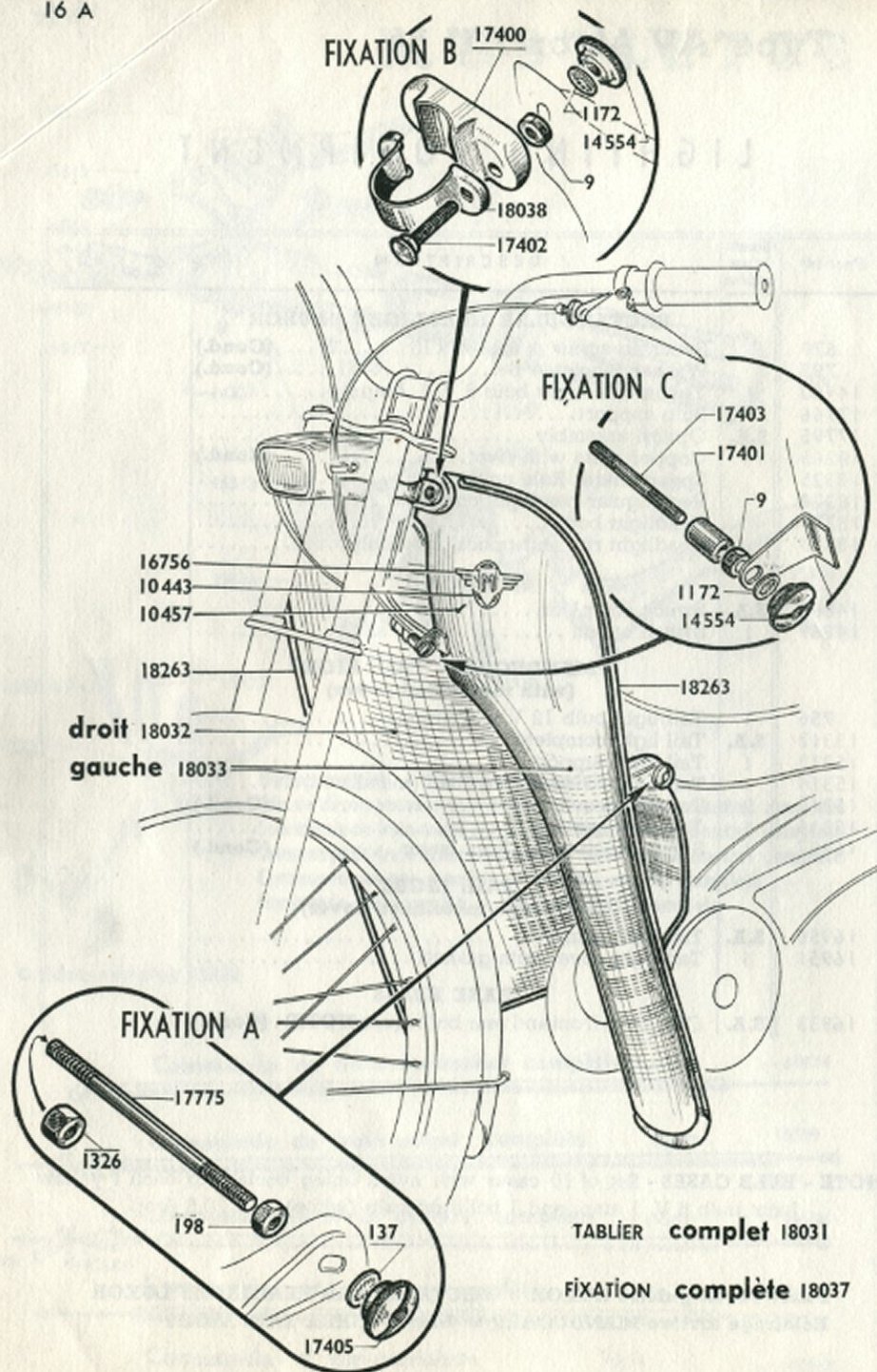
Part N°	Quantity per machine	DESCRIPTION
RECTANGULAR HEADLIGHT "LUXOR"		
679		Securing screw $\varnothing 6 \times 100 \times 15$ (Cond.)
797		Washer Blocfor $\varnothing 6$ (Cond.)
14460	1	Yellow headlight bulb 6 V. 1 Amp.
17766	1	Bulb support.
17795	S.A.	Optical assembly.
18265		Copper plate with rivet. (Cond.)
18325		Speedometer Role cover.
18328		Rectangular headlight complete.
18329		Headlight body.
18330		Headlight rim and optical assembly.
SWITCH		
14868	S.A.	Switch complete.
14869	1	Switch button.
"MANDUCHER" TAIL LIGHT (with metallized cover)		
756	1	Tail light bulb 12 V. 0,5 Amp.
15312	S.A.	Tail light complete.
15313	1	Tail light support.
15314	1	Tail light cover with gasket (metallized).
15315	2	Tail light cover screw. (Cond.)
15316	1	Tail light gasket.
16887	1	Spring holding tail light cover. (Cond.)
TAIL LIGHT (with non-metallized cover)		
16950	S.A.	Tail light complete.
16951	1	Tail light cover with gaskets.
SPARE BULBS		
16833	S.A.	Case cont. front and rear bulbs (see NOTE). (Cond.)

NOTE - BULB CASES - Set of 10 cases with nylon lining containing each 1 yellow front bulb 6 V. 1 amp. and 1 tail light bulb (white) 12 V. 0.5 Amp.

Phare rectangulaire LUXOR = RECTANGULAR HEADLIGHT LUXOR
Eclairage arrière MANDUCHER = MANDUCHER TAIL LIGHT

MOBYLETTE Type AV 44 or AU 44

LEGSHIELD AND FIXATION



TABLIER complet 18031

FIXATION complète 18037

Part N°	Quantity per machine	DESCRIPTION
9	4	Nut of 6×100×9×4,5(Cond.)
137	2	NOMEL washer ø 8
198	1	Nut of 8×100×12×4,5.....
1172	4	NOMEL washer ø 6.....(Cond.)
1326	1	Nut of 8×100×12×7,5
10443	1	Transfer under badge
10457	2	Badge rivet
14554	4	Knurled nut(Cond.)
16756	1	Badge (left side)
17400	1	Half clip distance piece (nylon)
17401	2	Distance piece middle attachment(Cond.)
17402	2	Bolt of 6×100×24×8.....(Cond.)
17403	1	Gudgeon of 6×100×59×14×17
17405	2	Knurled nut 8×100.....(Cond.)
17775	1	Gudgeon of 8×100×117×13×20.....
18031	S.A.	Legshield complete (without attachment)
18032	1	Legshield R.H. side
18033	1	Legshield L.H. side.....
18037	S.A.	Legshield attachment complete
18038	1	Half clip upper attachment
18263	1	Legshield beading "POLYFIL" (set of 2)

MORE MODELS OF MOBYLETTES AVAILABLE

More than

4.500.000 "Mobylette"

in the World

World's biggest production!

MOTOBECANE



Produced by MOTOBECANE-MOTOCONFORT, 16, Rue Lesault, PANTIN (Seine) FRANCE - P.O. Box 202

MOTOCONFORT

